



Rhif y Cais / Application Number : C15/1208/16/LL

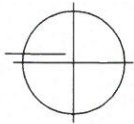
Cynllun lleoliad ar gyfer adnabod y safle yn unig. Dim i raddfa.
Location Plan for identification purposes only. Not to scale.



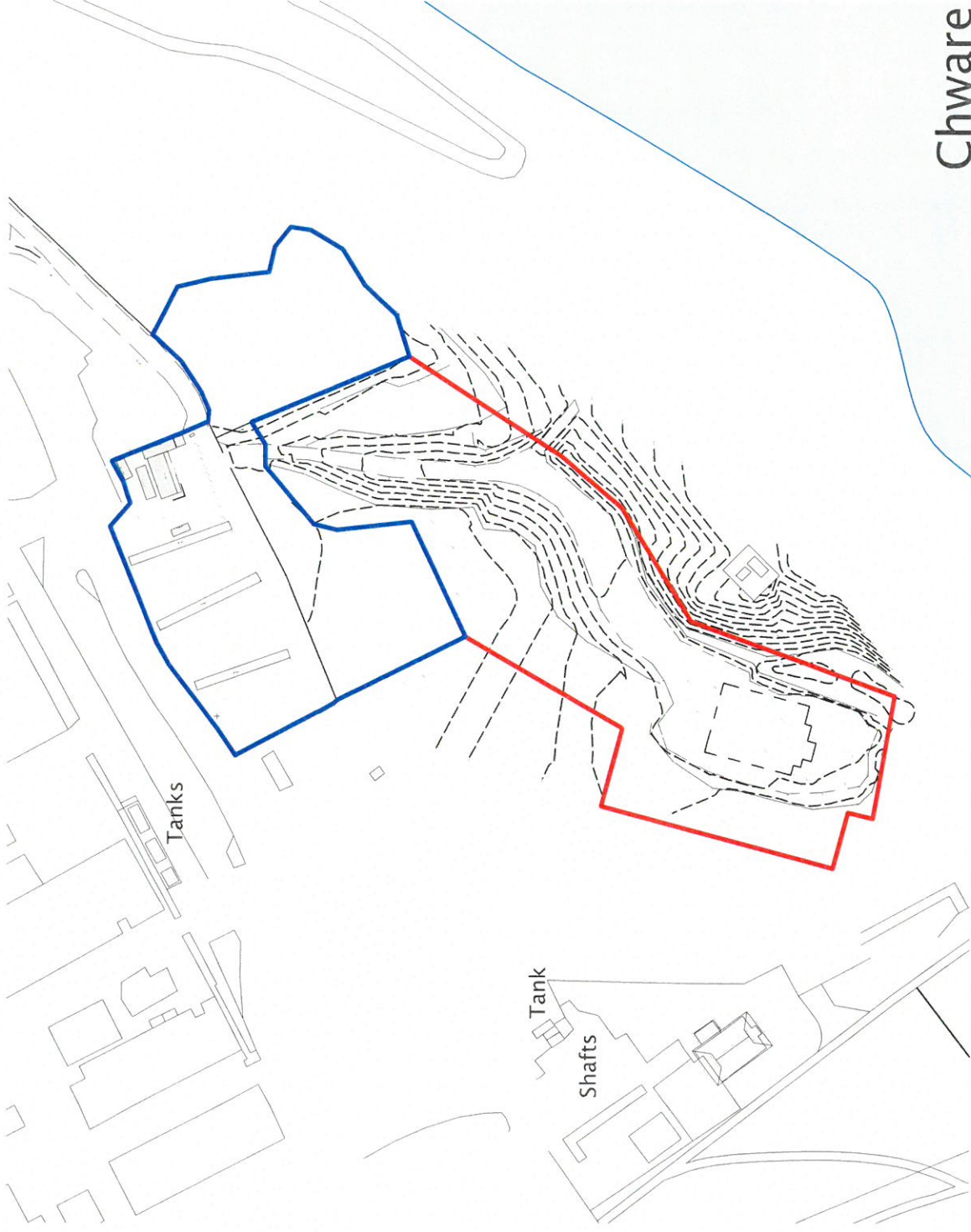
Atgynhychir y map hwn o Ddeunydd yr Ordnance Survey gyda chaniatâd yr Ordnance Survey ar ran Rheolwr Llyfrfa Ei Mawrhydi.
© Hawffraint y Goron.
Mae atgynhychu heb ganiatâd yn torri hawffraint y Goron a gall hyn arwain at erlyniad neu achos sifil.
Cyngor Gwynedd - 100023387 - 2006

This map is reproduced from Ordnance Survey material with the permission of Ordnance Survey on behalf of the Controller of Her Majesty's Stationery Office.
© Crown copyright.
Unauthorised reproduction infringes Crown copyright and may lead to prosecution or civil proceedings.
Cyngor Gwynedd - 100023387 - 2006

G:N



This drawing is to be used in conjunction with the printed specifications provided by W&M Design & Architecture Ltd, 100 High Street, Bournemouth, Dorset, BH1 1AA. Any changes made to the information contained on this drawing are the responsibility of the client. This drawing is the property of W&M Design & Architecture Ltd and cannot be reproduced without permission. Copyright Act 1988 and is protected by the Design Right Act 1987.



Chware

1:1250

Site OS Plan

-1-



DESIGN AND ARCHITECTURE

+44 (0) 1248 717230
+44 (0) 1248 714930
www.wmdesign.co.uk
info@wmdesign.co.uk

Project Title New Operations Centre
Location Zip World Belthesda
Client Zip World Velocity
Drawing Title Site OS Plan

Scale 1:1250
Paper Size A3
Date 10/04/2015
Issue Type Feasibility
Drawn By Aidan Williamson
Drawing Details Job No. SH1429
Revisions Drawing No. AL 0.1



Project Name: Zip World Adventure
 Location: Zip World Adventure
 Client: Zip World Adventure
 Drawing Title: Terrain and Elevation for Adventure Park

Scale: 1:100
 Project No: 2023-001
 Date: 10/20/2023
 Drawing Date: 10/20/23
 Drawing No: 2023-001-01

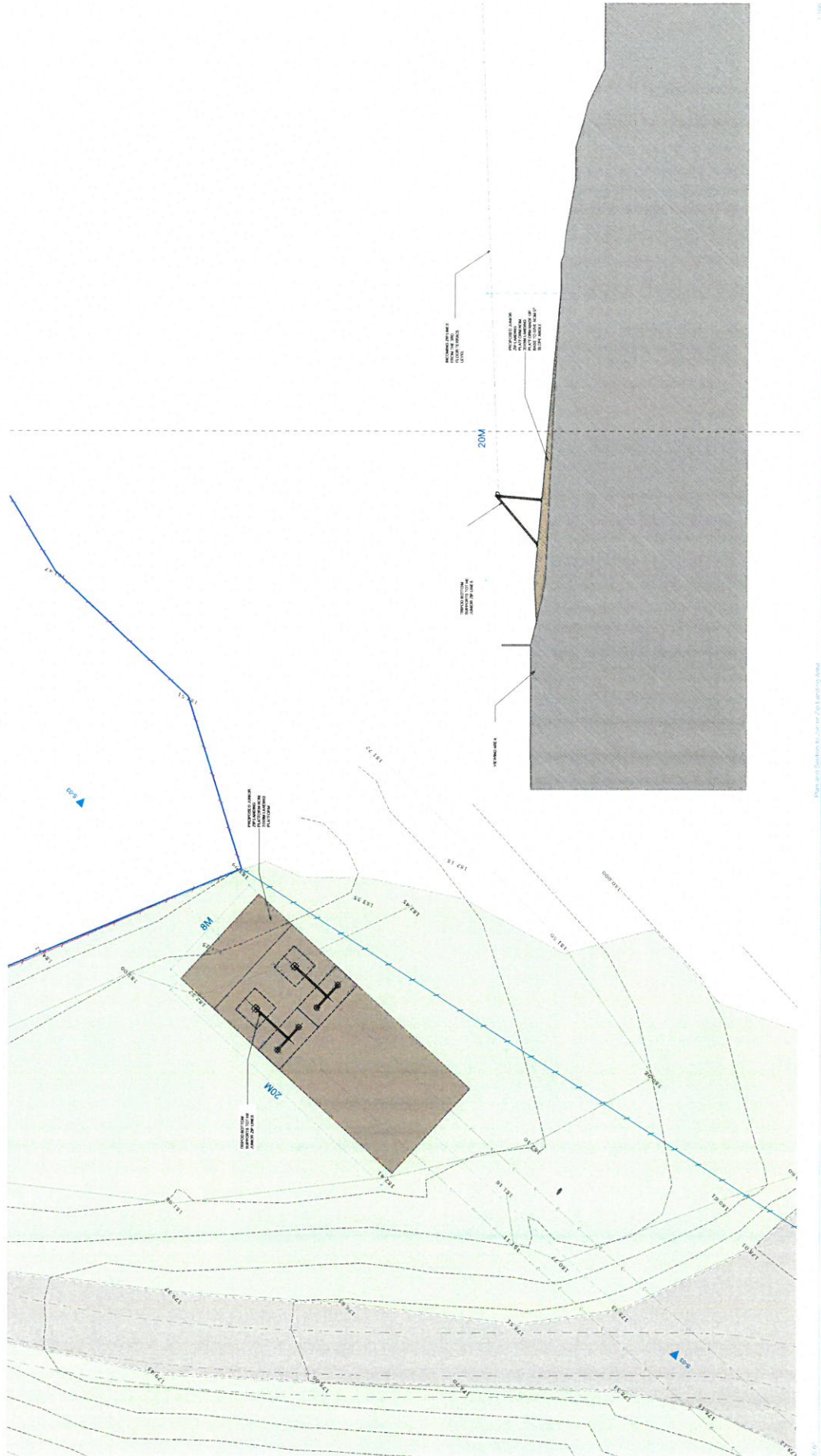


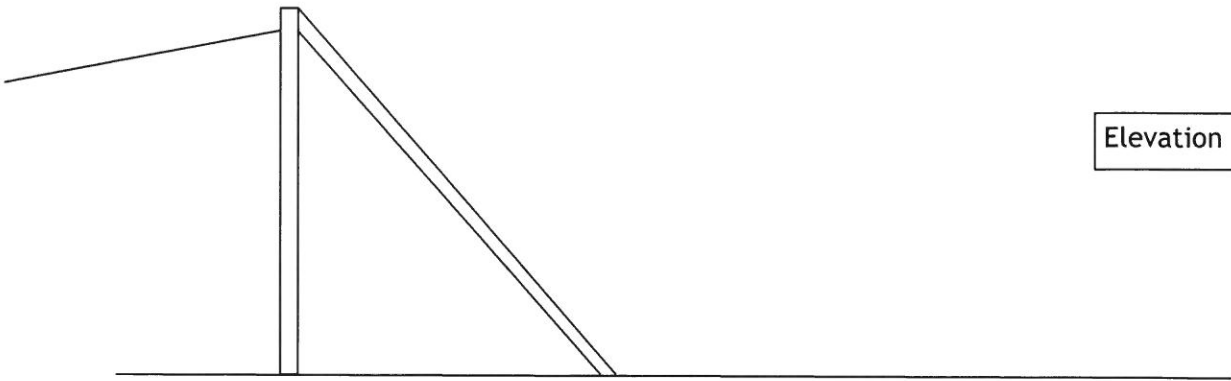
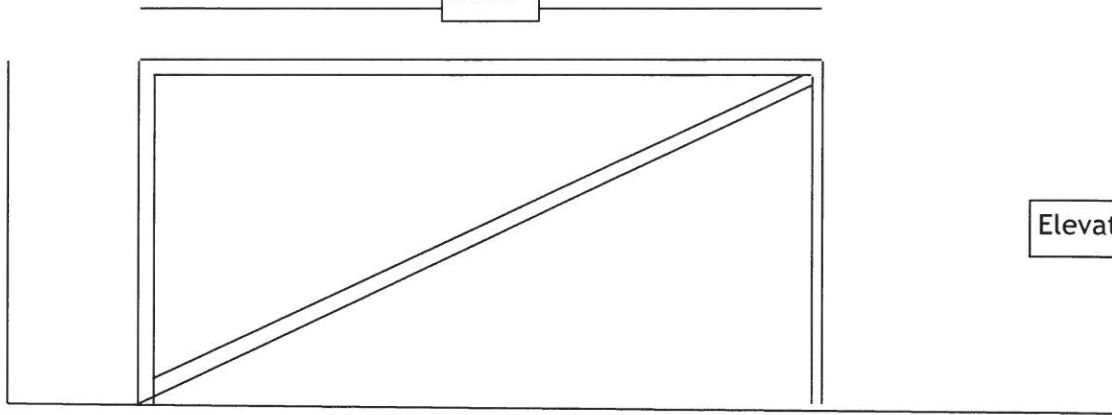
Figure 1: Terrain and Elevation for Adventure Park

Top indicative

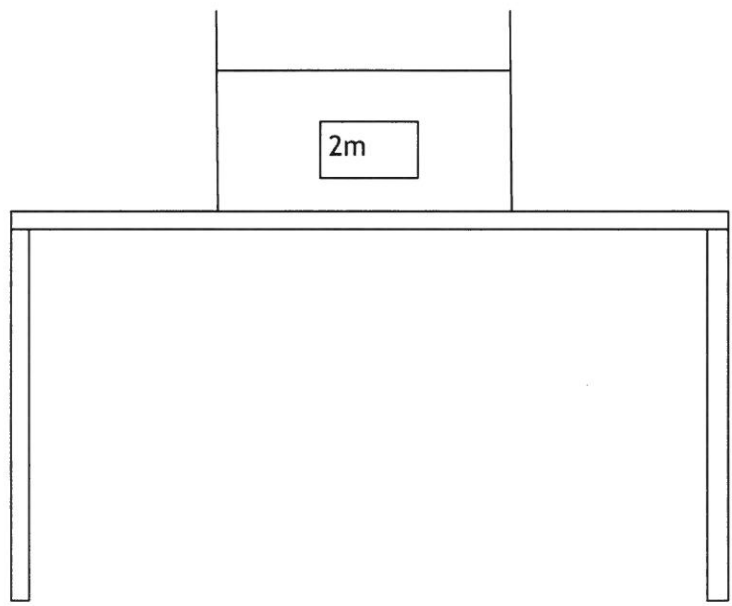
3.5m

2m

Elevation



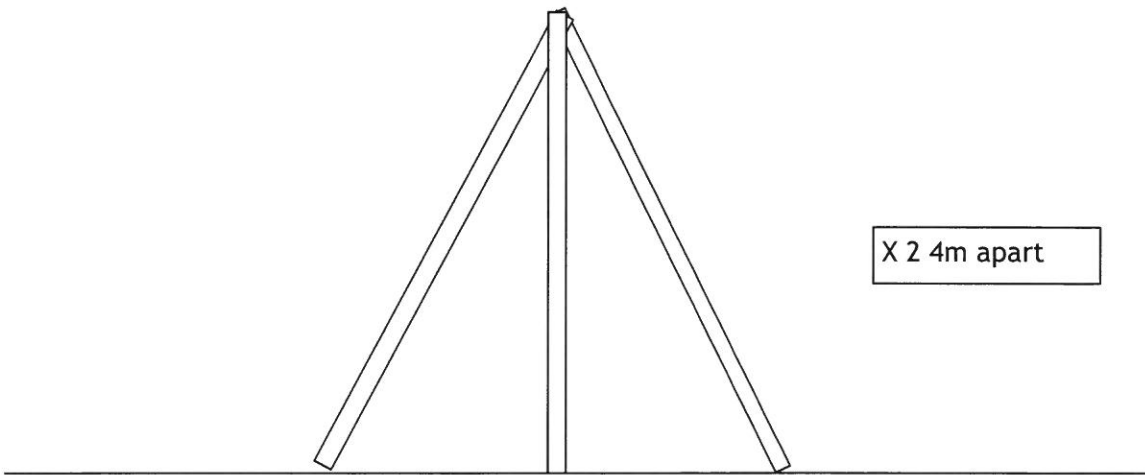
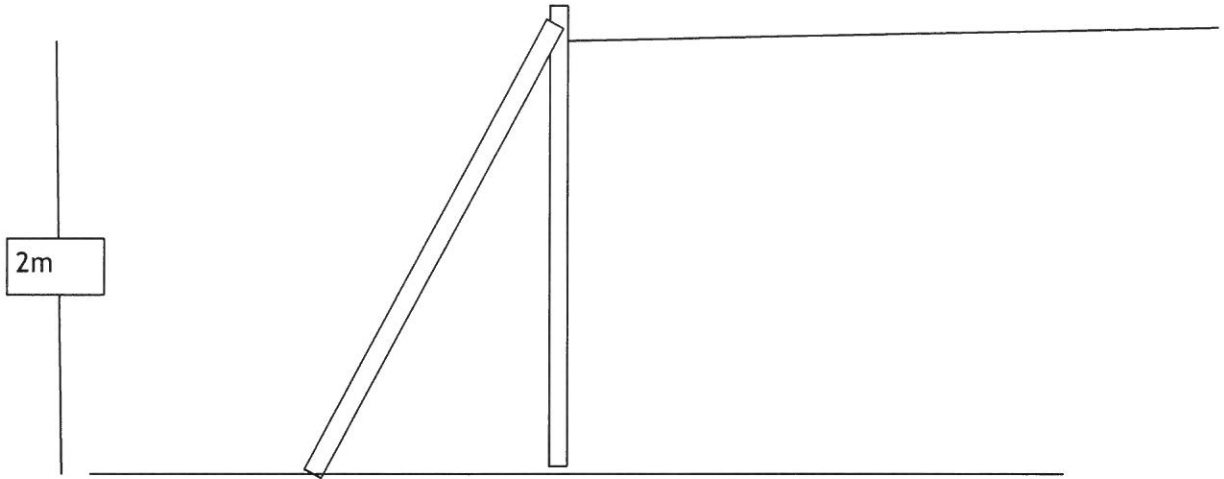
Elevation



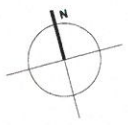
Plan

2m

Bottom indicative



1. THE CLIENT HAS BEEN ADVISED THAT THE PROPOSED DEVELOPMENT IS SUBJECT TO THE REQUIREMENTS OF THE LOCAL AUTHORITY'S PLANNING DEPARTMENT AND THAT THE CLIENT SHOULD CONSULT WITH THE LOCAL AUTHORITY'S PLANNING DEPARTMENT IN ORDER TO OBTAIN NECESSARY APPROVALS. THE CLIENT HAS BEEN ADVISED THAT THE PROPOSED DEVELOPMENT IS SUBJECT TO THE REQUIREMENTS OF THE LOCAL AUTHORITY'S PLANNING DEPARTMENT AND THAT THE CLIENT SHOULD CONSULT WITH THE LOCAL AUTHORITY'S PLANNING DEPARTMENT IN ORDER TO OBTAIN NECESSARY APPROVALS.



1. REVISED APPROVED	13/11/15	CE
2. PRELIMINARY APPROVED	07/11/15	CE
3. FOR APPROVAL	06/11/15	CE
4. FOR CONSTRUCTION	05/11/15	CE

FOR APPROVAL: FOR CONSTRUCTION: AS TABLE 7

100 Avenue, Tottenham, London E11 1NR
 Tel: 020 832 2222
 Fax: 020 832 2223
 Email: info@lawrayarchitects.co.uk
 www.lawrayarchitects.co.uk

Client: WRW CONSTRUCTION

Site: NEW VISITORS CENTRE AT ZIPWORLD

Drawing Title: PROPOSED SITE PLAN

DATE	SCALE	DRAWN	CHECKED
SEPT'15	1:500@A1	CE	CE
DATE	SCALE	DRAWN	CHECKED
11/15	PL00	PL00	B

20% NOT SCALE. Copyright LAWRA Y ARCHITECTS. All Rights Reserved. No part of this drawing shall be reproduced without the written consent of the architect.

